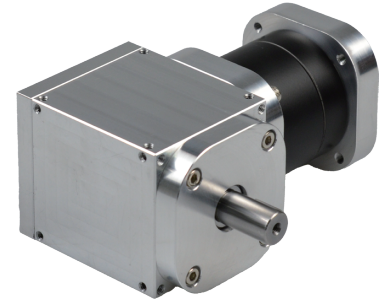
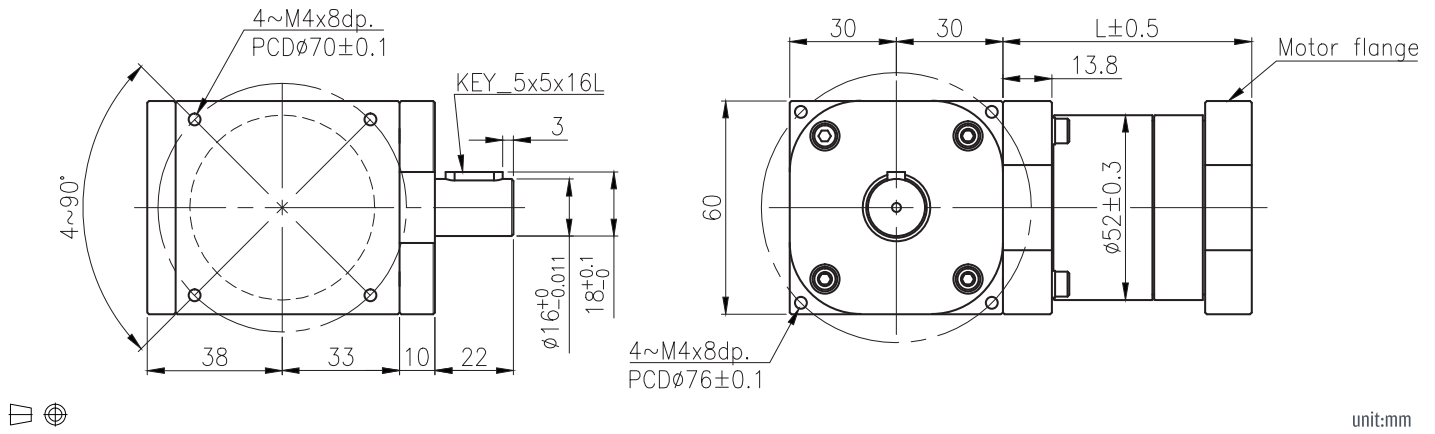


PG-52RLN



外型尺寸/ Appearance Size



產品規格/ Product Specifications

版本 Version	級數 Number of stages	外殼材質 Housing material	輸出軸承型式 Bearing at output	徑向負荷 Radial load (10mm from flange)	軸向負荷 Shaft axial load	主軸承受壓力 Shaft press fit force	徑向間隙 Radial play of shaft	軸向間隙 Thrust play of shaft
PG-52RLN 標準版/Standard	1	金屬 Metal	滾珠軸承 Ball bearings	≤ 32 kgf	≤ 7 kgf	≤ 132 kgf	≤ 0.05 mm	≤ 0.3 mm
	2	金屬 Metal	滾珠軸承 Ball bearings	≤ 49 kgf	≤ 10 kgf	≤ 132 kgf	≤ 0.05 mm	≤ 0.3 mm
	3	金屬 Metal	滾珠軸承 Ball bearings	≤ 77 kgf	≤ 16 kgf	≤ 132 kgf	≤ 0.05 mm	≤ 0.3 mm

標準減速比型式/ Gearboxes Specifications

級數 Number of stages	1	2	3
減速比 Reduction ratio	1/4(3.65), 1/5(4.59), 1/5, 1/7, 1/9	1/14, 1/16, 1/17, 1/19, 1/23, 1/25, 1/28(27.76), 1/28(28.05), 1/34, 1/45, 1/58	1/50, 1/58, 1/67, 1/70, 1/81, 1/91, 1/98, 1/102, 1/106, 1/115, 1/123, 1/128, 1/137, 1/145, 1/166, 1/176, 1/192, 1/232, 1/302, 1/393
定格容許扭力 (kgf-cm max.) Rated tolerance torque	36	108	225
瞬間容許扭力 (kgf-cm max.) Momentary tolerance torque	54	162	337.5
效率(%) Efficiency	72	68	63
長度 (mm) * 1 Length (L)	41.3	55.9	70.1
重量 * 2 Weight (g)	1680	1880	2080

• 使用相對溼度:20%-85%RH • 使用溫度範圍: -30°C~+100°C • 建議輸入轉速:3000rpm
 Operating relative humidity Operating temprature range Recommended input speed

* 1參考值，我們會依選用的馬達而進行下蓋尺寸的優化設計
 Reference. The flange size will be optimized according to the selected motor.

* 2參考值，重量會因部分零件的材質與尺寸不同而有所差異
 Reference. The weight will vary due to the material and size of some parts.