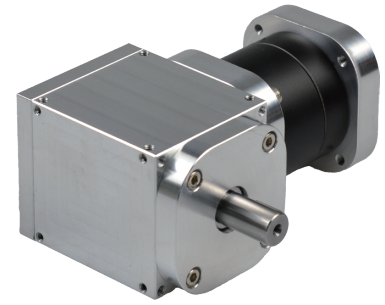
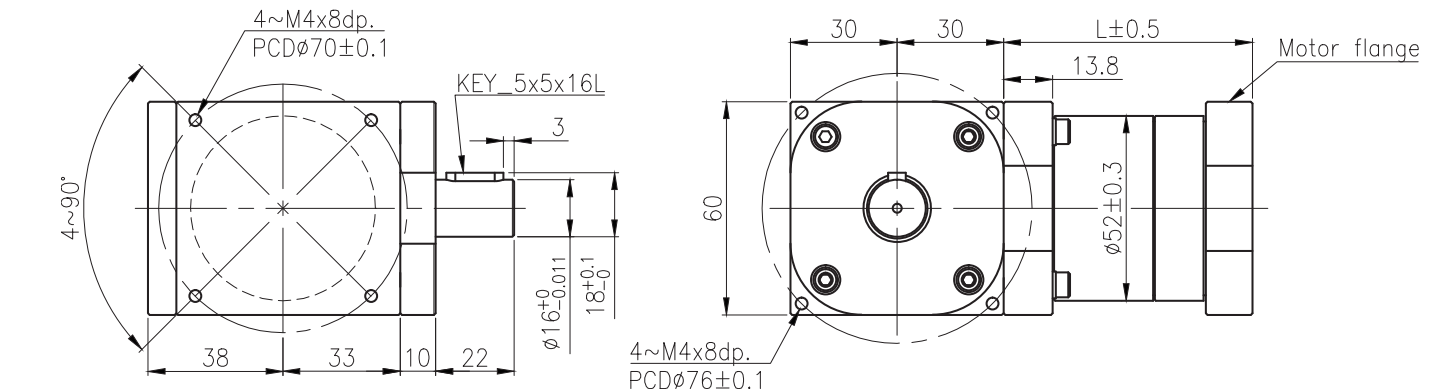


## PG-52R



### 外型尺寸/ Appearance Size



unit:mm

### 產品規格/ Product Specifications

| 版本<br>Version          | 級數<br>Number of stages | 外殼材質<br>Housing material | 輸出軸承型式<br>Bearing at output | 徑向負荷<br>Radial load<br>(10mm from flange) | 軸向負荷<br>Shaft axial load | 主軸承受壓力<br>Shaft press fit force | 徑向間隙<br>Radial play of shaft | 軸向間隙<br>Thrust play of shaft |
|------------------------|------------------------|--------------------------|-----------------------------|---|--------------------------|---------------------------------|------------------------------|------------------------------|
| PG-52R<br>標準版/Standard | 1                      | 金屬<br>Metal              | 滾珠軸承<br>Ball bearings       | ≤ 32 kgf                                  | ≤ 7 kgf                  | ≤ 132 kgf                       | ≤ 0.05 mm                    | ≤ 0.1 mm                     |
|                        | 2                      | 金屬<br>Metal              | 滾珠軸承<br>Ball bearings       | ≤ 49 kgf                                  | ≤ 10 kgf                 | ≤ 132 kgf                       | ≤ 0.05 mm                    | ≤ 0.1 mm                     |
|                        | 3                      | 金屬<br>Metal              | 滾珠軸承<br>Ball bearings       | ≤ 77 kgf                                  | ≤ 16 kgf                 | ≤ 132 kgf                       | ≤ 0.05 mm                    | ≤ 0.1 mm                     |

### 標準減速比型式/ Gearboxes Specifications

| 級數<br>Number of stages                             | 1                              | 2  | 3  |
|--|--------------------------------|--|--|
| 減速比<br>Reduction ratio                             | 1/4(3.71), 1/4(4.29), 1/5, 1/7 | 1/14, 1/16, 1/18, 1/19, 1/22, 1/25, 1/27, 1/29, 1/35, 1/46 | 1/51, 1/59, 1/68, 1/71, 1/79, 1/82, 1/93, 1/95, 1/100, 1/107, 1/115, 1/124, 1/130, 1/139, 1/150, 1/169, 1/181, 1/195, 1/236, 1/308 |
| 定格容許扭力 (kgf-cm max.)<br>Rated tolerance torque     | 36                             | 108  | 225  |
| 瞬間容許扭力 (kgf-cm max.)<br>Momentary tolerance torque | 54                             | 162  | 337.5  |
| 效率(%)<br>Efficiency                                | 72                             | 68   | 63   |
| 長度 (mm) * 1<br>Length (L)                          | 41.3                           | 55.9   | 70.1   |
| 重量 * 2<br>Weight (g)                               | 1680                           | 1880   | 2080   |

• 使用相對溼度:20%-85%RH • 使用溫度範圍: -30°C~+100°C • 建議輸入轉速:3000rpm  
Operating relative humidity Operating temperature range Recommended input speed

\* 1參考值，我們會依選用的馬達而進行下蓋尺寸的優化設計  
Reference. The flange size will be optimized according to the selected motor.

\* 2參考值，重量會因部分零件的材質與尺寸不同而有所差異  
Reference. The weight will vary due to the material and size of some parts.