

PG

Magnetic Encoders

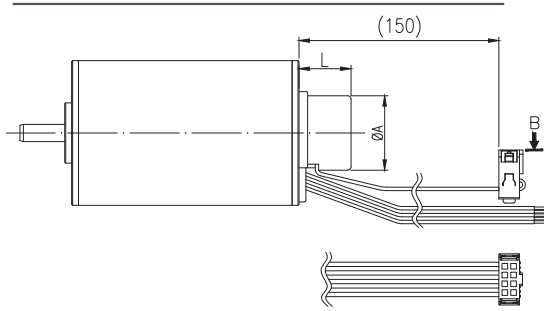
IG

High Resolution Rotary Incremental Encoder

高解析度旋轉式增量編碼器

Right Angle

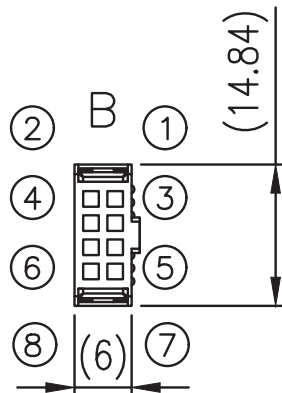
編碼器外徑&長度



RA

ØA : Ø21.6mm L : 15.1mm

| Motor (ΦA) | Counts poles of per turn(PPR) |
|------------|-------------------------------|
| Φ24 | 1 to 4096 PPR |
| Φ28 | |
| Φ36 | |
| Φ42 | |
| Other | |



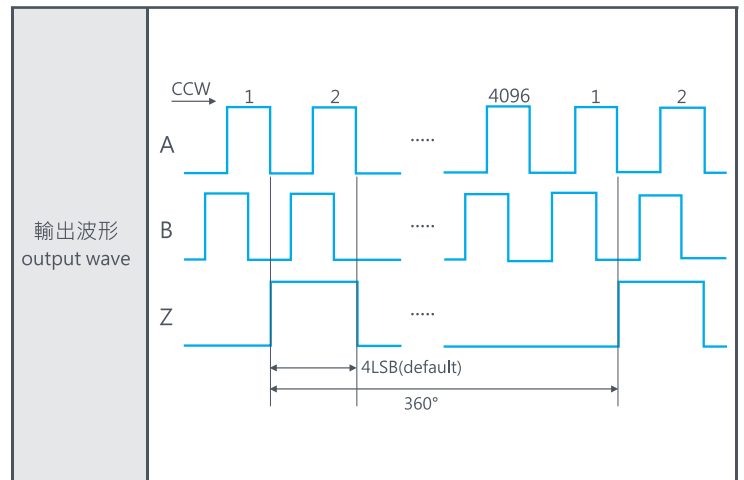
| Pin No | Signal | Wire color | Specificatio |
|--------|-----------|------------|--------------|
| PIN4 | Channel Z | Gray | UL2651 28AWG |
| PIN5 | GND | | |
| PIN6 | Vcc(5V) | | |
| PIN7 | Channel B | | |
| PIN8 | Channel A | | |
| | | | |

RB

WG

電氣特性/ Electrical Characteristics

| 特徵 Features | 數值 Value |
|-------------------------------|---------------------------------------|
| 輸入電壓 Supply voltage | 3.0V to 5.5V |
| 輸入電流 Supply Current | No output load 15mA(Typ) 23mA(Max) |
| 輸出訊號 Output Signal | ABZ 增量式輸出 ABZ Incremental Output |
| 使用溫度範圍 Operating Temperature | -10 to +60°C |
| 最高旋轉轉速 Maximum Rotation Speed | 25000rpm |
| 角度解析度 Angle Resolution | 14bit |



SD

BLDC

Encoder

• PPR出廠前燒錄設置完成, 出廠後無開放使用者修改PPR
When ordering, please check how many counts poles of per turn is.