

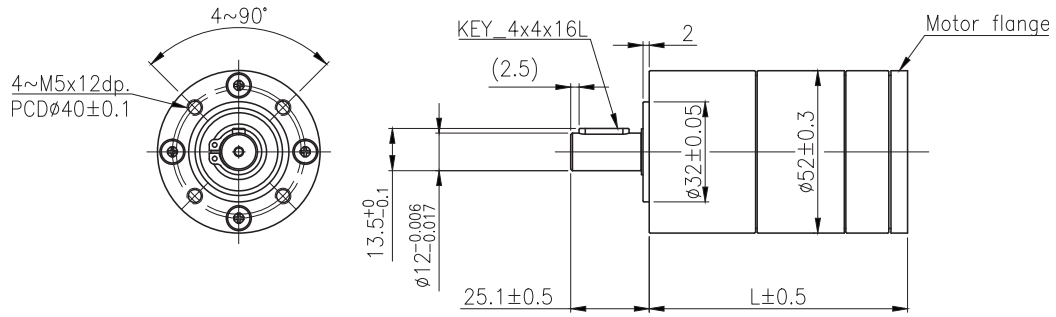
PG

PG-52



IG

外形尺寸 / Appearance Size



unit:mm

Right Angle

RA

產品規格 / Product Specifications

版本 Version	級數 Number of stages	外殼材質 Housing material	輸出軸承型式 Bearing at output	徑向負荷 Radial load (10mm from flange)	軸向負荷 Shaft axial load	主軸承受壓力 Shaft press fit force	徑向間隙 Radial play of shaft	軸向間隙 Thrust play of shaft	背隙(無負荷時) Backlash, at no-load
PG-52 標準版/Standard	1	金屬 Metal	滾珠軸承 Ball bearings	≤ 20 kgf	≤ 6 kgf	≤ 50 kgf	≤ 0.05 mm	≤ 0.3 mm	≤ 0.7°
	2	金屬 Metal	滾珠軸承 Ball bearings	≤ 32 kgf	≤ 10 kgf	≤ 50 kgf	≤ 0.05 mm	≤ 0.3 mm	≤ 0.75°
	3	金屬 Metal	滾珠軸承 Ball bearings	≤ 45 kgf	≤ 15 kgf	≤ 50 kgf	≤ 0.05 mm	≤ 0.3 mm	≤ 0.8°

RB

標準減速比型式 / Gearboxes Specifications

級數 Number of stages	1	2	3
減速比 Reduction ratio	1/4 (3.71), 1/4 (4.29), 1/5, 1/7	1/14, 1/16, 1/18, 1/19, 1/22, 1/25, 1/27, 1/29, 1/35, 1/46	1/51, 1/59, 1/68, 1/71, 1/79, 1/82, 1/93, 1/95, 1/100, 1/107, 1/115, 1/124, 1/130, 1/139, 1/150, 1/169, 1/181, 1/195, 1/236, 1/308
定格容許扭力 (kgf-cm max.) Rated tolerance torque	40	120	250
瞬間容許扭力 (kgf-cm max.) Momentary tolerance torque	60	180	375
效率 (%) Efficiency	80	75	70
長度 (mm) *1 Length (L)	56.83	70.98	85.18
重量 *2 Weight (g)	690	890	1090

WG

SD

BLDC

- 使用相對溼度 : 20%~85%RH ● 使用溫度範圍 : -30℃~+100℃
- Operating relative humidity Operating temperature range

*1參考值，我們會依選用的馬達而進行下蓋尺寸的優化設計
Reference. The flange size will be optimized according to the selected motor.

*2參考值，重量會因部分零件的材質與尺寸不同而有所差異
Reference. The weight will vary due to the material and size of some parts.

Encoder