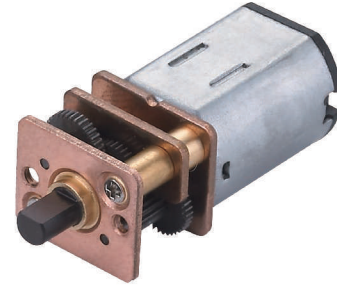
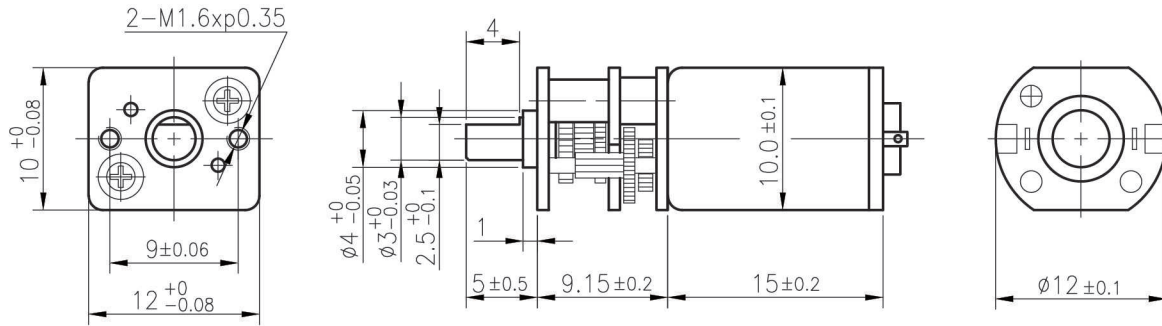


RA-12WGM

01 & 02 TYPE



外形尺寸/ Appearance Size



unit:mm

齒輪箱馬達轉矩 & 速度/ Gear Motor Torque & Speed

| | 減速比 Reduction ratio | 1/10 | 1/19 | 1/29 | 1/60 | 1/76 | 1/102 | 1/134 | 1/197 | 1/235 | 1/298 | | |
|----|------------------------------|------|------|------|------|------|-------|-------|-------|-------|-------|--|--|
| 3V | 定格扭力 Rated torque (gf-cm) | 15 | 25 | 40 | 75 | 100 | 120 | 155 | 230 | 275 | 350 | | |
| | 定格轉速 Rated speed (rpm) | 1400 | 720 | 480 | 230 | 180 | 135 | 100 | 70 | 59 | 46 | | |
| 6V | 定格扭力 Rated torque (gf-cm) | 24 | 40 | 60 | 115 | 150 | 200 | 235 | 345 | 410 | 520 | | |
| | 定格轉速 Rated speed (rpm) | 1450 | 770 | 510 | 245 | 195 | 145 | 110 | 75 | 63 | 50 | | |
| | 軸心迴轉方向 Rotation direction | CW | CCW | | | CW | | | | CCW | | | |

馬達單體型式/ Motor Data

| 定格電壓 Rated volt (V) | 定格扭力 Rated torque (gf-cm) | 定格轉速 Rated speed (rpm) | 定格電流 Rated current (A) | 無負荷轉速 No load speed (rpm) | 無負荷電流 No load current (A) | 定格出力 Rated output (W) | 重量 Weight (g) |
|------------------------|------------------------------|---------------------------|---------------------------|------------------------------|------------------------------|--------------------------|------------------|
| 3 | 2 | 14000 | ≤0.25 | 16000 | ≤0.08 | 0.287 | 5.5 |
| 6 | 3 | 14900 | ≤0.17 | 18000 | ≤0.05 | 0.46 | 5.5 |

馬達單體特性/ Motor Characteristics

