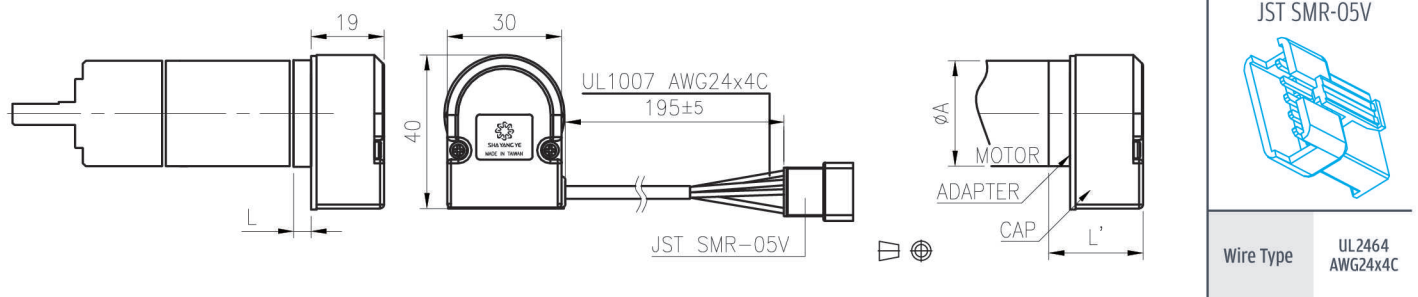


OPTICAL Encoders

Two Channel Optical Encoders 雙向光學式編碼器



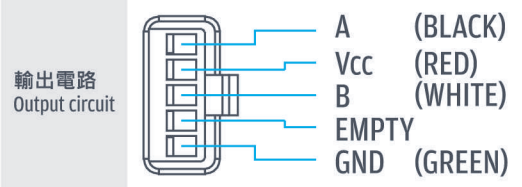
馬達外徑 & 長度/



電氣特性/ Electrical Characteristics

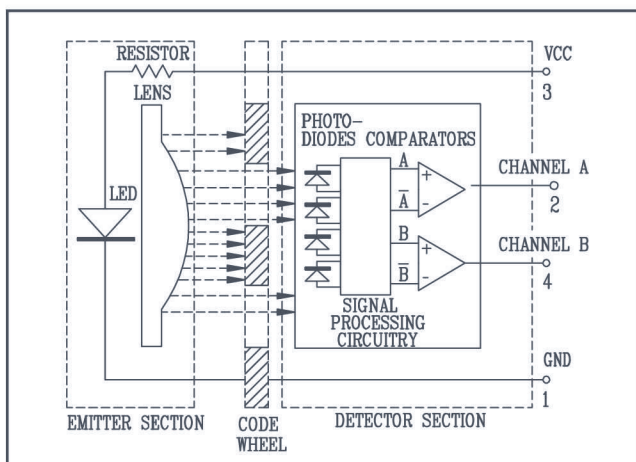
| 規格特性 Characteristics | 規格 SPECIFICATION |
|---|---------------------|
| 輸入電壓 Supply Voltage Vcc | 5V ± 10% |
| 相位差 Phase shift | 90°e ± 45°e |
| 訊號上升時間 Signal rise time (typically, at CL=25pF, RL=11k, 25°C) | 6 ns |
| 訊號下降時間 Signal fall time (typically, at CL=25pF, RL=11k, 25°C) | 6 ns |
| 讀取頻率 Count frequency | 20~80 kHz |
| 負載端電容 Load Capaitance | 100pf |
| 通道輸出電流 Output current per channel | ± 20mA |

| Motor | Overall Length (L') | | Resolution |
|-------|---------------------|-------|----------------------------|
| | Adapter (L) | Cap | |
| ∅ 28 | 4.5 ± 0.5 mm | 19 mm | 100/200/256 360/400/500 |
| ∅ 36 | 4.5 ± 0.5 mm | 19 mm | |
| ∅ 40 | None | 19 mm | |
| ∅ 42 | 10 ± 0.5 mm | 19 mm | |



● 使用相對溼度：20%~85%RH ● 使用溫度範圍：-10°C~+60°C
Operating relative humidity Operating temperature range

方塊示意圖 / Block Diagram



輸出波型 / Output Waveform

